

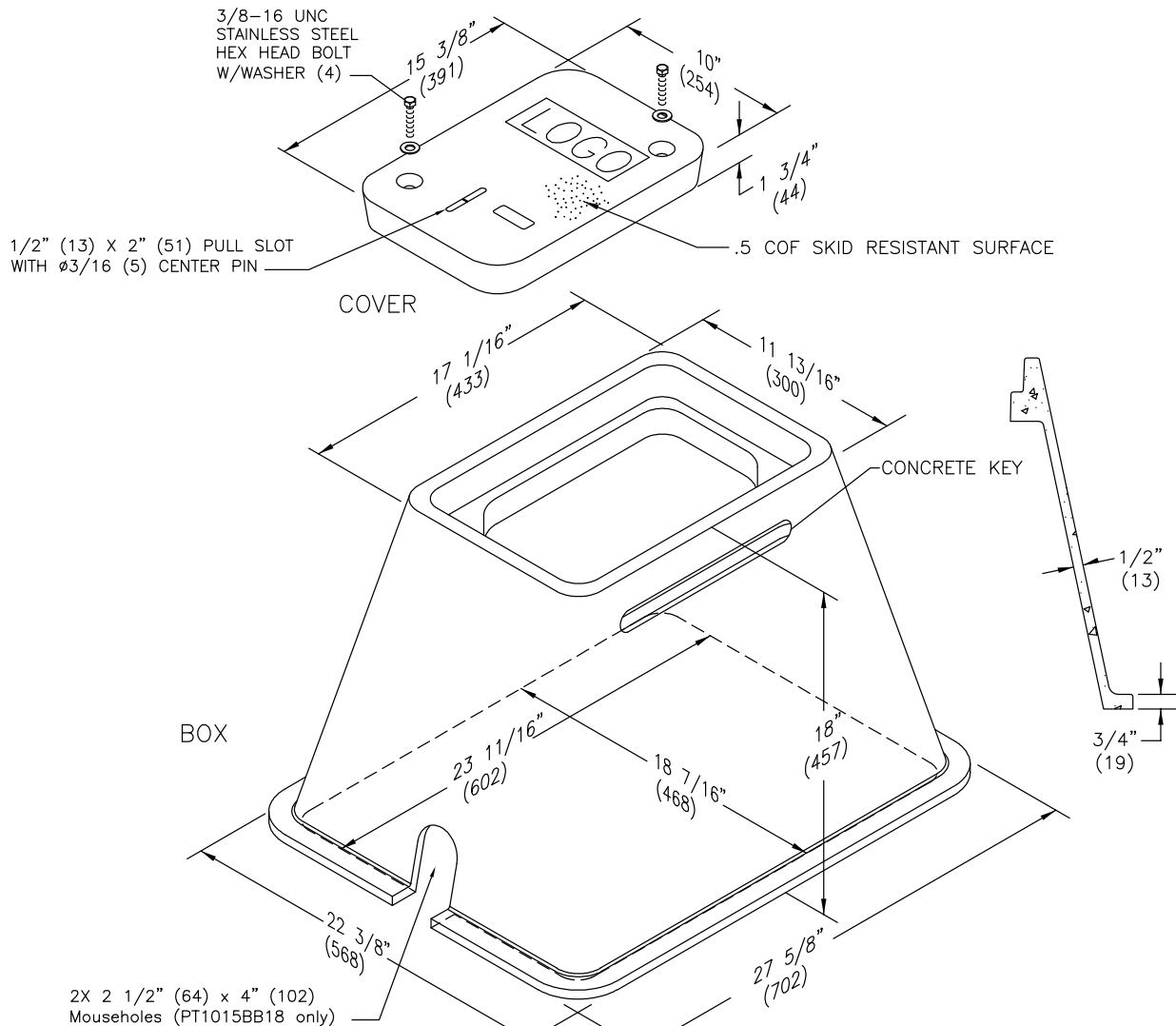
SPECIFICATIONS/DATA

10" x 15" PT Style (Nestable) Assembly

Covers (Blank unless logo is specified)

| DESCRIPTION | PART NO. | WEIGHT # | DESIGN/TEST LOAD # | ANSI TIER* |
|-------------------------------|------------|-------------|--------------------|------------|
| W/2 Bolts | PG1015CA00 | 20 (9.0 kg) | 8,000 / 12,000 | 8 |
| Gasketed w/2 Bolts | PG1015CG00 | 20 (9.0 kg) | 8,000 / 12,000 | 8 |
| No Bolts | PG1015WA00 | 20 (9.0 kg) | 8,000 / 12,000 | 8 |
| Heavy Duty w/2 Bolts | PG1015HA00 | 20 (9.0 kg) | 15,000 / 22,500 | 15 |
| Gasketed Heavy Duty w/2 Bolts | PG1015HG00 | 20 (9.0 kg) | 15,000 / 22,500 | 15 |

* Gasketed covers and bolt grommets must be used with a gasketed box. Gaskets reduce the inflow of fluids but do not make the enclosure water tight.



BOXES (Nestable with self-aligning, replaceable EZ-Nut)

| DESCRIPTION | PART NO. | WEIGHT # | DESIGN/TEST LOAD # | ANSI TIER* |
|----------------------------|------------|--------------|--------------------|------------|
| Open Bottom | PT1015BA18 | 70 (32.0 kg) | 15,000 / 22,500 | 15 |
| Open Bottom w/Gasket | PT1015BG18 | 70 (32.0 kg) | 15,000 / 22,500 | 15 |
| Open Bottom w/2 Mouseholes | PT1015BB18 | 69 (31.0 kg) | 15,000 / 22,500 | 15 |

Dimensions & weights in parentheses are metric equivalent.
 * Loadings comply with ANSI/SCTE 77 (see page 9).