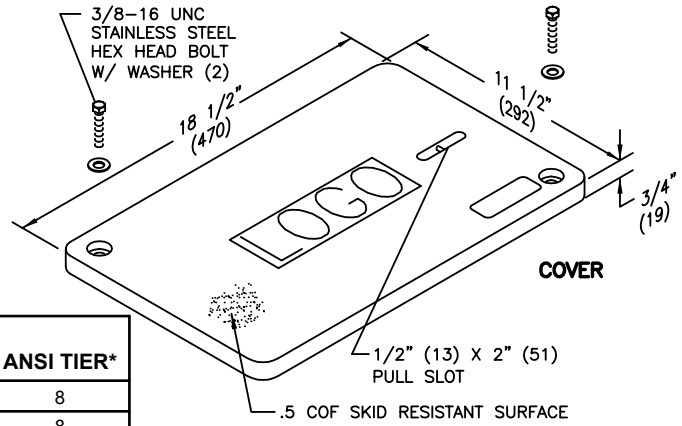


SPECIFICATIONS/DATA

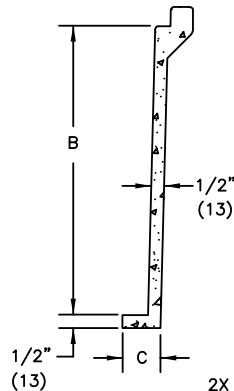
11" x 18" PC Style (Stackable) Assembly



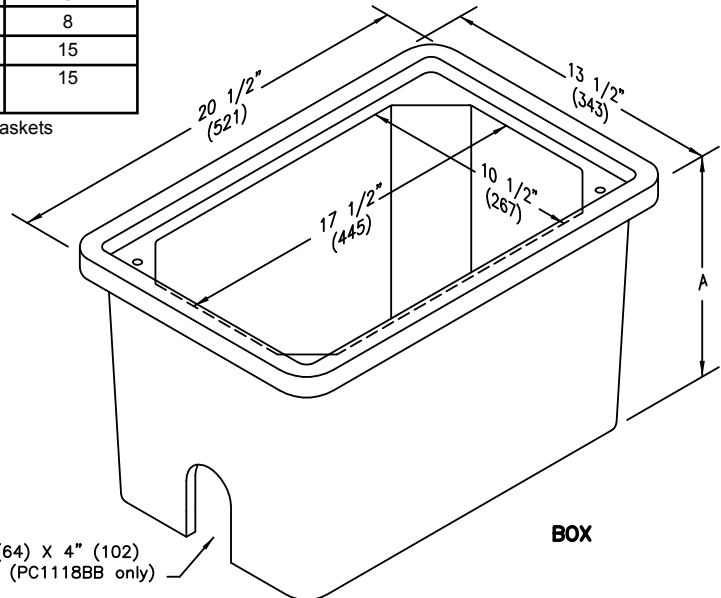
Covers (Blank unless logo is specified)

DESCRIPTION	PART NO.	WEIGHT #	DESIGN/TEST LOAD #	ANSI TIER*
W/2 Bolts	PC1118CA00	13 (5.9 kg)	8,000 / 12,000	8
Gasketed w/4 Bolts	PC1118CG00	13 (5.9 kg)	8,000 / 12,000	8
No Bolts	PC1118WA00	13 (5.9 kg)	8,000 / 12,000	8
Heavy Duty w/2 Bolts	PC1118HA00	13 (5.9 kg)	15,000 / 22,500	15
Gasketed Heavy Duty w/4 Bolts	PC1118HG00	13 (5.9 kg)	15,000 / 22,500	15

* Gasketed covers and bolt grommets must be used with a gasketed box. Gaskets reduce the inflow of fluids but do not make the enclosure water tight.



2X 2 1/2" (64) X 4" (102) MOUSEHOLES (PC1118BB only)



Boxes (Stackable with self-aligning, replaceable EZ-Nut)

DESCRIPTION	PART NO.	WEIGHT #	DIMENSION A	DIMENSION B	DIMENSION C	DESIGN/TEST LOAD #	ANSI TIER*
Open Bottom	PC1118BA12	37 (16.8 kg)	12" (304.8 mm)	11 1/4" (286 mm)	N/A	15,000 / 22,500	15
	PC1118BA18	53 (24.0 kg)	18" (457 mm)	17 1/4" (438 mm)	N/A	15,000 / 22,500	15
Open Bottom w/ Gasket	PC1118BG12	37 (16.8 kg)	12" (304.8 mm)	11 1/4" (286 mm)	N/A	15,000 / 22,500	15
	PC1118BG18	53 (24.0 kg)	18" (457 mm)	17 1/4" (438 mm)	N/A	15,000 / 22,500	15
Open Bottom w/ 2 Mouseholes	PC1118BB12	36 (16.3 kg)	12" (304.8 mm)	11 1/4" (286 mm)	N/A	15,000 / 22,500	15
	PC1118BB18	52 (23.6 kg)	18" (457 mm)	17 1/4" (438 mm)	N/A	15,000 / 22,500	15
Solid Bottom	PC1118DA12	45 (20.4 kg)	12 1/2" (317.5 mm)	11 1/4" (286 mm)	N/A	15,000 / 22,500	15
	PC1118DA18	60 (27.2 kg)	18 1/2" (470 mm)	17 1/4" (438 mm)	N/A	15,000 / 22,500	15
Solid Bottom w/ Gasket	PC1118DG12	45 (20.4 kg)	12 1/2" (317.5 mm)	11 1/4" (286 mm)	N/A	15,000 / 22,500	15
	PC1118DG18	60 (27.2 kg)	18 1/2" (470 mm)	17 1/4" (438 mm)	N/A	15,000 / 22,500	15
Footed Box	PC1118JA12	37 (16.8 kg)	12 1/2" (317.5 mm)	11 1/4" (286 mm)	1 1/2" (38 mm)	15,000 / 22,500	15
	PC1118JA18	56 (25.4 kg)	18 1/2" (470 mm)	17 1/4" (438 mm)	1 1/2" (38 mm)	15,000 / 22,500	15

Dimensions & weights in parentheses are metric equivalent.

* Loadings comply with ANSI/SCTE 77 (see page 9).