

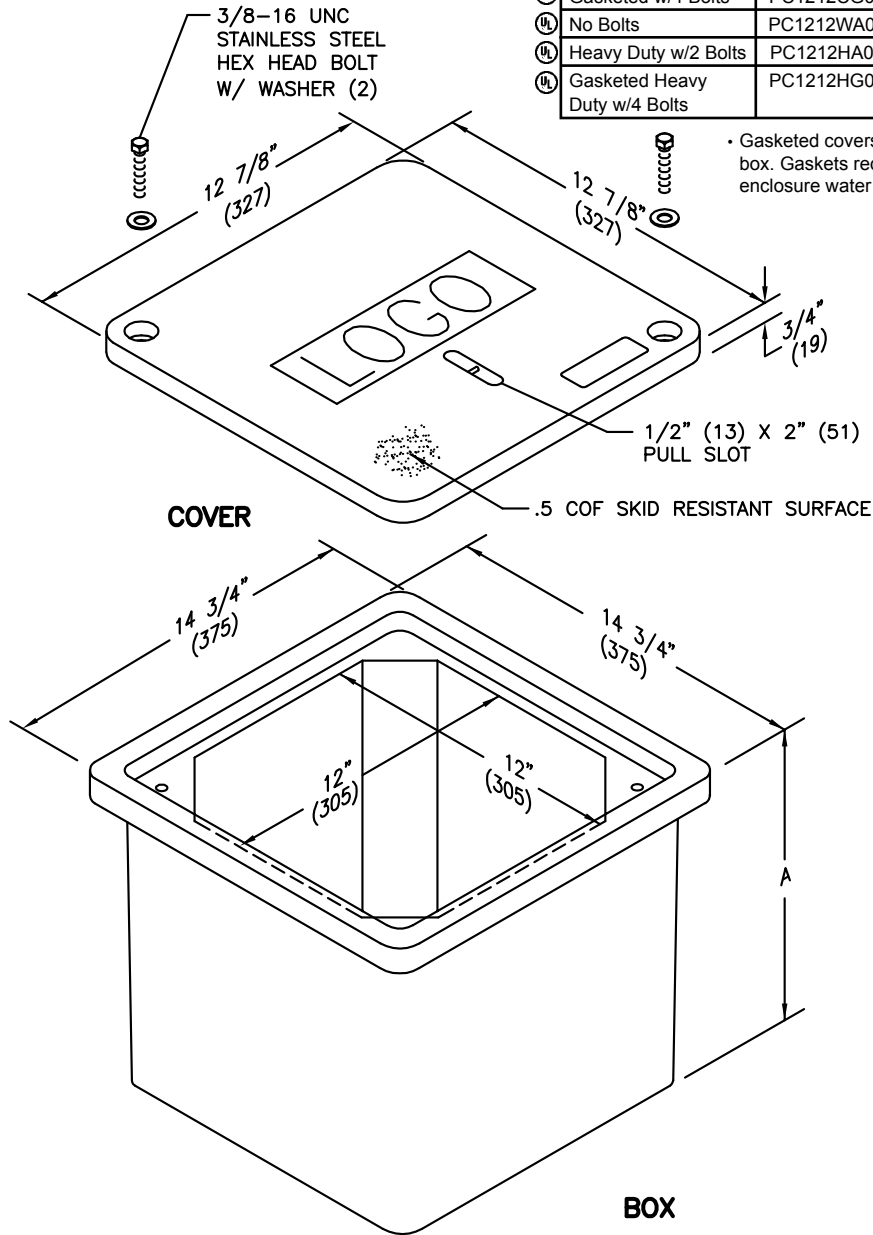
## SPECIFICATIONS/DATA

## 12" x 12" PC Style (Stackable) Assembly

### Covers (Blank unless logo is specified)

	DESCRIPTION	PART NO.	WEIGHT #	DESIGN/TEST LOAD #	ANSI TIER*
Ⓛ	W/2 Bolts	PC1212CA00	12 (5.4 kg)	8,000 / 12,000	8
Ⓛ	Gasketed w/4 Bolts	PC1212CG00	12 (5.4 kg)	8,000 / 12,000	8
Ⓛ	No Bolts	PC1212WA00	12 (5.4 kg)	8,000 / 12,000	8
Ⓛ	Heavy Duty w/2 Bolts	PC1212HA00	12 (5.4 kg)	15,000 / 22,500	15
Ⓛ	Gasketed Heavy Duty w/4 Bolts	PC1212HG00	12 (5.4 kg)	15,000 / 22,500	15

\* Gasketed covers and bolt grommets must be used with a gasketed box. Gaskets reduce the inflow of fluids but do not make the enclosure water tight.



### Boxes (Stackable with self-aligning, replaceable EZ-Nut)

	DESCRIPTION	PART NO.	WEIGHT #	DIMENSION A	DESIGN/TEST LOAD #	ANSI TIER*
Ⓛ	Open Bottom	PC1212BA12	36 (16 kg)	12 3/4" (324 mm)	15,000 / 22,500	15
Ⓛ	Open Bottom w/Gasket	PC1212BG12	36 (16 kg)	12 3/4" (324 mm)	15,000 / 22,500	15
Ⓛ	Solid Bottom	PC1212DA12	41 (19 kg)	13 1/4" (337 mm)	15,000 / 22,500	15
Ⓛ	Solid Bottom w/Gasket	PC1212DG12	41 (19 kg)	13 1/4" (337 mm)	15,000 / 22,500	15

Dimensions & weights in parentheses are metric equivalent.

\* Loadings comply with ANSI/SCTE 77 (see page 9).