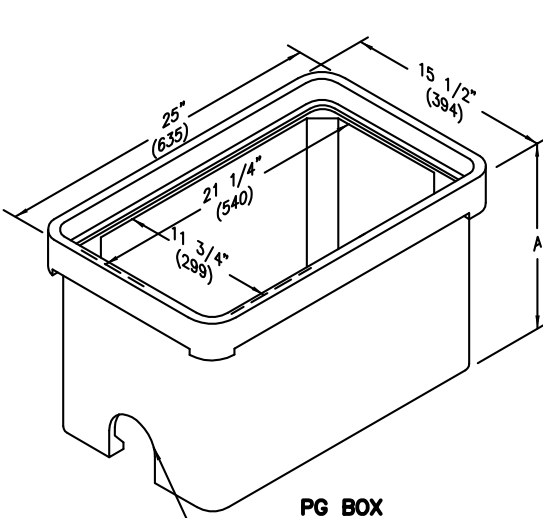
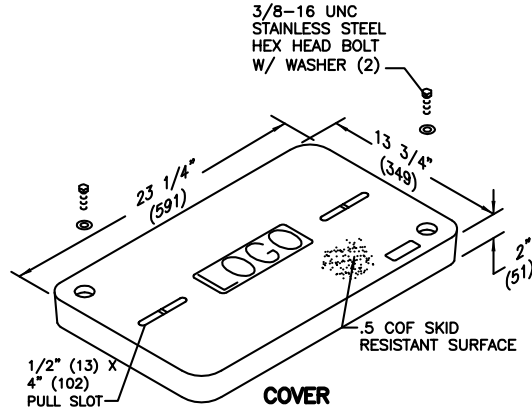
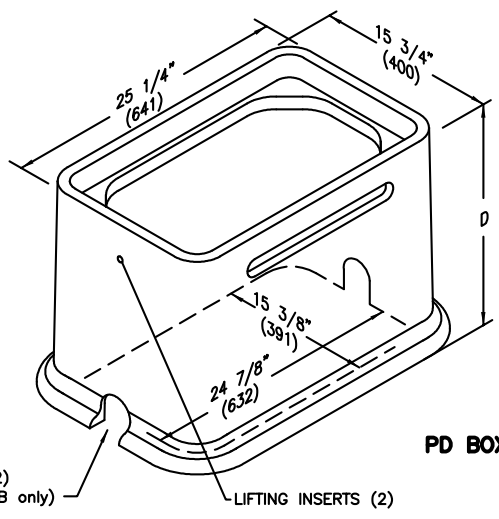
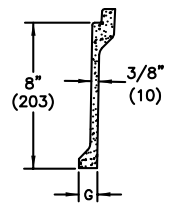
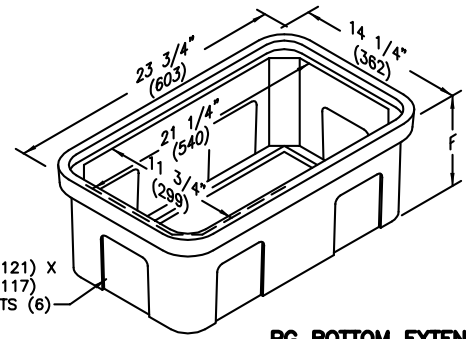
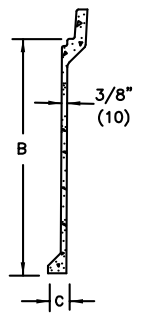


SPECIFICATIONS/DATA

13" x 24" PG Style (Stackable) Assembly and 13" x 24" PD Style Assembly

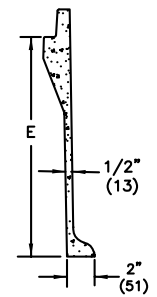


2X 4" (102) X 4" (102) MOUSEHOLES (PG1324BB only)



2X 4" (102) X 4" (102) MOUSEHOLES (PD1324BB only)

LIFTING INSERTS (2)



ENCLOSURE DRAWINGS

SPECIFICATIONS/DATA

13" x 24" PG Style (Stackable) Assembly and 13" x 24" PD Style Assembly

Covers (Blank unless logo is specified)

DESCRIPTION	PART NO.	WEIGHT #	DESIGN/TEST LOAD #	ANSI TIER*
W/2 Bolts	PG1324CA00	33 (15 kg)	8,000 / 12,000	8
Gasketed w/2 Bolts	PG1324CG00	33 (15 kg)	8,000 / 12,000	8
No Bolts	PG1324WA00	33 (15 kg)	8,000 / 12,000	8
Heavy Duty w/2 Bolts	PG1324HA00	51 (23 kg)	15,000 / 22,500	15
Gasketed Heavy Duty w/2 Bolts	PG1324HG00	51 (23 kg)	15,000 / 22,500	15
Extra Heavy Duty w/2 Bolts	PG1324HH00	54 (24 kg)	22,500 / 33,750	22

- Covers with meter lids available upon request. See page 12 or page 56 for meter lid cover load rating explanation.
- Gasketed covers and bolt grommets must be used with a gasketed box. Gaskets reduce the inflow of fluids but do not make the enclosure water tight.

PG Boxes (Stackable with self-aligning, replaceable EZ Nut)

DESCRIPTION	PART NO.	WEIGHT #	DIMENSION A	DIMENSION B	DIMENSION C	DESIGN/TEST LOAD #	ANSI TIER*
Open Bottom	PG1324BA12	53 (24 kg)	12" (305 mm)	10" (254 mm)	1 1/4" (32 mm)	22,500 / 33,750	22
	PG1324BA18	72 (33 kg)	18" (457 mm)	16" (406 mm)	1 1/4" (32 mm)	22,500 / 33,750	22
Open Bottom w/2 Mouseholes	PG1324BB12	49 (22.2 kg)	12" (305 mm)	10" (254 mm)	1 1/4" (32 mm)	22,500 / 33,750	22
	PG1324BB18	68 (31 kg)	18" (457 mm)	16" (406 mm)	1 1/4" (32 mm)	22,500 / 33,750	22
Solid Bottom	PG1324DA12	63 (28.6 kg)	12 1/2" (318 mm)	10" (254 mm)	N/A	22,500 / 33,750	22
	PG1324DA18	85 (39 kg)	18 1/2" (470 mm)	16" (406 mm)	N/A	22,500 / 33,750	22

PD Boxes

DESCRIPTION	PART NO.	WEIGHT #	DIMENSION D	DIMENSION E	DESIGN/TEST LOAD #	ANSI TIER*
Open Bottom	PD1324BA18	104 (47 kg)	18" (457 mm)	16" (406 mm)	22,500 / 33,750	22
	PD1324BA26	133 (60 kg)	26" (660 mm)	24" (610 mm)	22,500 / 33,750	22
Open Bottom w/2 Mouseholes	PD1324BB18	102 (46 kg)	18" (457 mm)	16" (406 mm)	22,500 / 33,750	22
	PD1324BB26	131 (59 kg)	26" (660 mm)	24" (610 mm)	22,500 / 33,750	22
Open Bottom w/Gasket	PD1324BG18	104 (47 kg)	18" (457 mm)	16" (406 mm)	22,500 / 33,750	22
	PD1324BG26	133 (60 kg)	26" (660 mm)	24" (610 mm)	22,500 / 33,750	22

Extensions (For use under box only, one per box.)

DESCRIPTION	PART NO.	WEIGHT #	DIMENSION F	DIMENSION G	DESIGN/TEST LOAD #	ANSI TIER*
Open Bottom	PG1324EA08	25 (11.3 kg)	8 3/4" (222 mm)	1" (25 mm)	22,500 / 33,750	22
Solid Bottom	PG1324RA08	35 (15.9 kg)	9 1/4" (235 mm)	N/A	22,500 / 33,750	22

Dimensions & weights in parentheses are metric equivalent.

* Loadings comply with ANSI/SCTE 77 (see page 9).