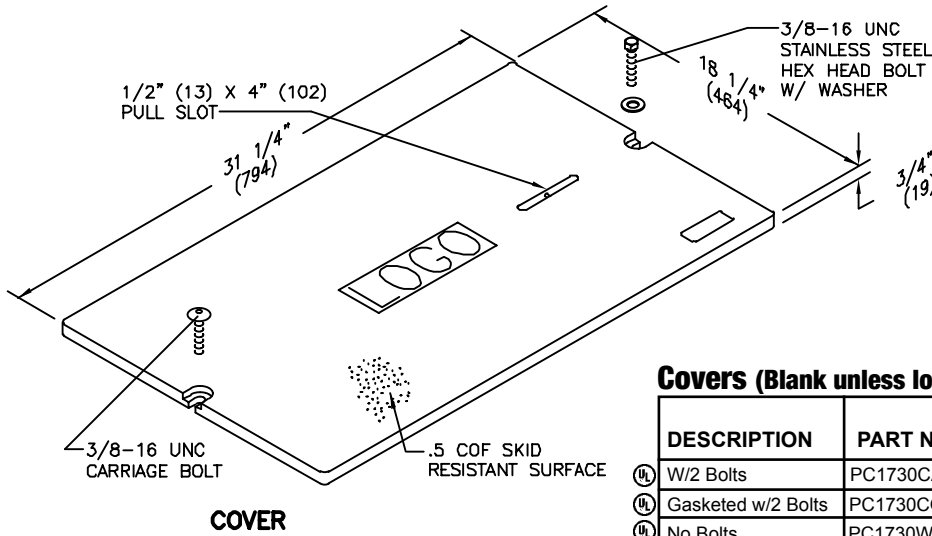


SPECIFICATIONS/DATA

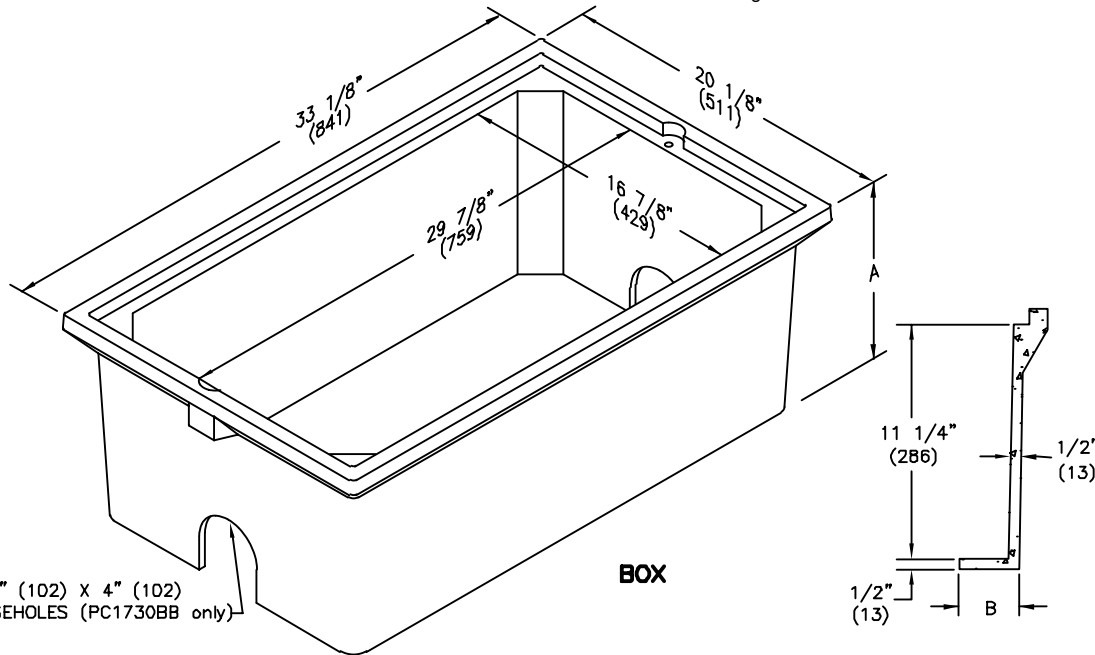
17" x 30" PC Style (Stackable) Assembly



Covers (Blank unless logo is specified)

DESCRIPTION	PART NO.	WEIGHT #	DESIGN/TEST LOAD #	ANSI TIER*
Ⓛ W/2 Bolts	PC1730CA00	33 (15.0 kg)	5,000 / 7,500	5
Ⓛ Gasketed w/2 Bolts	PC1730CG00	33 (15.0 kg)	5,000 / 7,500	5
Ⓛ No Bolts	PC1730WA00	33 (15.0 kg)	5,000 / 7,500	5

• Gasketed covers and bolt grommets must be used with a gasketed box. Gaskets reduce the inflow of fluids but do not make the enclosure water tight.



2X 4" (102) X 4" (102)
MOUSEHOLES (PC1730BB only)

Boxes (Stackable with self-aligning, replaceable EZ-Nut)

DESCRIPTION	PART NO.	WEIGHT #	DIMENSION A	DIMENSION B	DESIGN/TEST LOAD #	ANSI TIER*
Ⓛ Open Bottom	PC1730BA12	58 (26.3 kg)	12" (305 mm)	N/A	5,000 / 7,500	5
Ⓛ Open Bottom w/Gasket	PC1730BG12	58 (26.3 kg)	12" (305 mm)	N/A	5,000 / 7,500	5
Ⓛ Open Bottom w/2 Mouseholes	PC1730BB12	58 (26.3 kg)	12" (305 mm)	N/A	5,000 / 7,500	5
Ⓛ Solid Bottom	PC1730DA12	83 (37.6 kg)	12 1/2" (318 mm)	N/A	5,000 / 7,500	5
Ⓛ Solid Bottom w/Gasket	PC1730DG12	83 (37.6 kg)	12 1/2" (318 mm)	N/A	5,000 / 7,500	5
Ⓛ Footed Box	PC1730JA12	67 (30.4 kg)	12 1/2" (318 mm)	2 7/8" (73 mm)	5,000 / 7,500	5

Dimensions & weights in parentheses are metric equivalent.

* Loadings comply with ANSI/SCTE 77 (see page 9).