

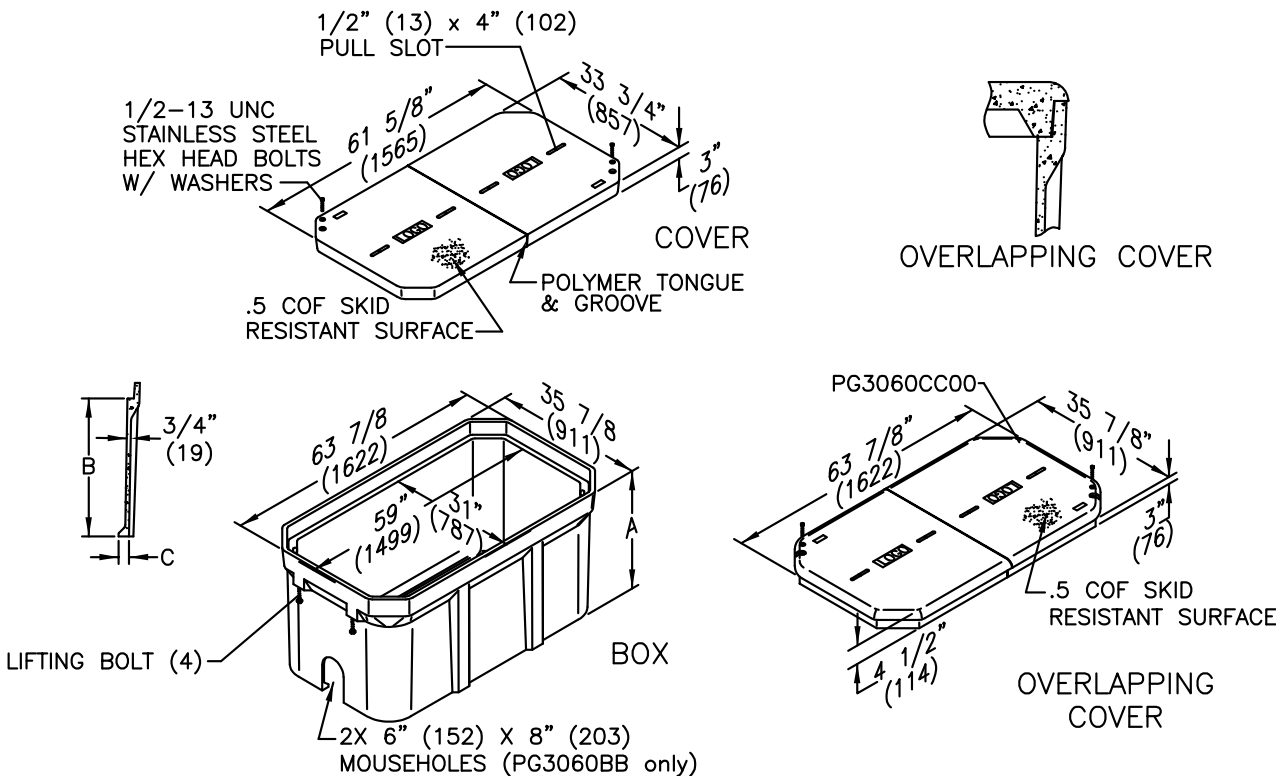
SPECIFICATIONS/DATA

30" x 60" PG Style (Stackable) Assembly

2-Piece Covers (Blank unless logo is specified)

DESCRIPTION	PART NO.	WEIGHT #	DESIGN/TEST LOAD	ANSI TIER*
Lightweight w/2 Bolts	LG3060CA00	228 (103.4 kg)	5,000 / 7,500	5
Lightweight w/No Bolts	LG3060WA00	228 (103.4 kg)	5,000 / 7,500	5
Heavy Duty w/2 Bolts	PG3060HA00	346 (156.9 kg)	15,000 / 22,500	15
Extra Heavy Duty w/2 Bolts	PG3060HH00	368 (166.9 kg)	22,500 / 33,750	22
Lightweight Overlapping	LG3060CC00	308 (139.7 kg)	5,000 / 7,500	5
Heavy Duty Overlapping	PG3060HC00	404 (183.3 kg)	15,000 / 22,500	15

- Covers with meter lids available upon request. See page 12 or page 56 for meter lid cover load rating explanation.
- Gasketed covers and bolt grommets must be used with a gasketed box. Gaskets reduce the inflow of fluids but do not make the enclosure water tight.



ENCLOSURE DRAWINGS

Boxes (Stackable with self-aligning, replaceable EZ-Nut) *30" & 36" deep boxes must be used as bottom of any stack

DESCRIPTION	PART NO.	WEIGHT #	DIMENSION A	DIMENSION B	DIMENSION C	DESIGN/TEST LOAD #	ANSI TIER*
Open Bottom	PG3060BA21	350 (159.0 kg)	21" (533 mm)	18" (457 mm)	2" (51 mm)	22,500 / 33,750	22
	PG3060BA30	492 (223.2 kg)	30" (762 mm)	27" (686 mm)	2 1/8" (54 mm)	22,500 / 33,750	22
	PG3060BA36	565 (256.3 kg)	36" (914 mm)	33" (838 mm)	2 1/8" (54 mm)	22,500 / 33,750	22
Open Bottom w/ 2 Mouseholes	PG3060BB21	350 (159.0 kg)	21" (533 mm)	18" (457 mm)	2" (51 mm)	22,500 / 33,750	22
	PG3060BB30	490 (222.3 kg)	30" (762 mm)	27" (686 mm)	2 1/8" (54 mm)	22,500 / 33,750	22
	PG3060BB36	563 (255.4 kg)	36" (914 mm)	33" (838 mm)	2 1/8" (54 mm)	22,500 / 33,750	22
Solid Bottom	PG3060DA21	420 (190.5 kg)	21 1/2" (546 mm)	18" (457 mm)	N/A	22,500 / 33,750	22
	PG3060DA30	532 (241.3 kg)	30 1/2" (775 mm)	27" (686 mm)	N/A	22,500 / 33,750	22
	PG3060DA36	601 (272.6 kg)	36 1/2" (927 mm)	33" (838 mm)	N/A	22,500 / 33,750	22

Dimensions & weights in parentheses are metric equivalent.
 * Loadings comply with ANSI/SCTE 77 (see page 9).