

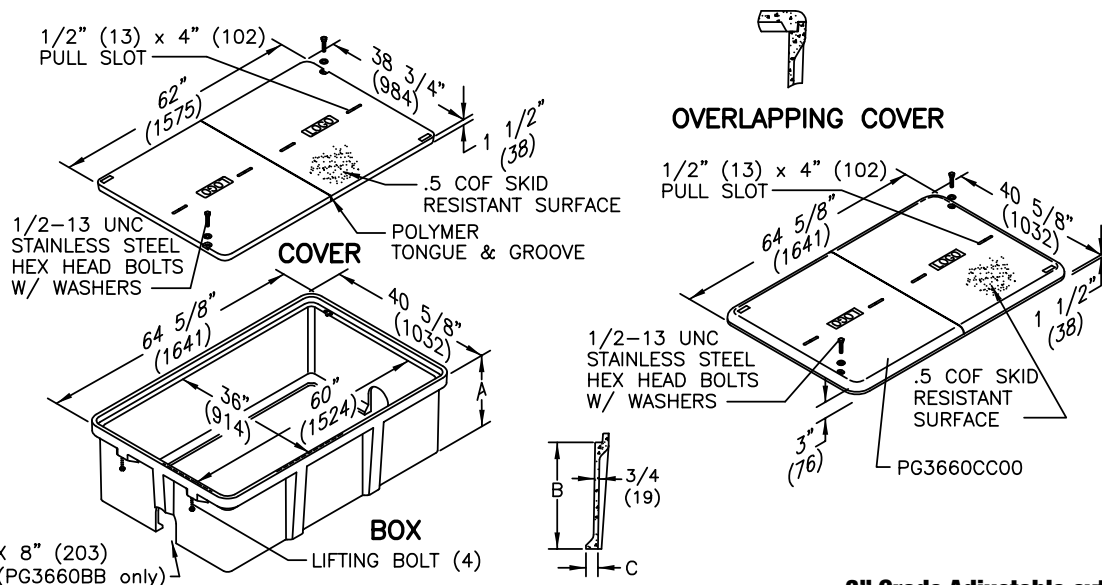
SPECIFICATIONS/DATA

36" x 60" PG Style (Stackable) Assembly

Covers (Blank unless logo is specified)

DESCRIPTION	PART NO.	WEIGHT #	DESIGN/TEST LOAD #	ANSI TIER*
Lightweight w/2 Bolts	LG3660CA00	222 (100.7 kg)	5,000 / 7,500	5
Lightweight w/No Bolts	LG3660WA00	222 (100.7 kg)	5,000 / 7,500	5
Heavy Duty w/2 Bolts	PG3660HA00	384 (174.0 kg)	15,000 / 22,500	15
Extra Heavy Duty w/2 Bolts	PG3660HH00	470 (213.2 kg)	22,500 / 33,750	22
Lightweight Overlapping	LG3660CC00	307 (139.3 kg)	5,000 / 7,500	5
Heavy Duty 2 pc. Overlapping	PG3660HC00	436 (197.8 kg)	15,000 / 22,500	15

* Covers with meter lids available upon request. See page 12 or page 56 for meter lid cover load rating explanation.



3" Grade Adjustable extension available. See page 44.

Boxes (Stackable with self-aligning, replaceable nut) *31" & 36" deep boxes must be used as bottom of any stack

DESCRIPTION	PART NO.	WEIGHT #	DIMENSION A	DIMENSION B	DIMENSION C	DESIGN/TEST LOAD #	ANSI TIER*
Open Bottom	PG3660BA19	381 (172.8 kg)	19 1/2" (495 mm)	18" (457 mm)	2" (51 mm)	22,500 / 33,750	22
	PG3660BA24	397 (180.0 kg)	24" (610 mm)	22 1/2" (572 mm)	2" (51 mm)	22,500 / 33,750	22
	PG3660BA31	481 (218.2 kg)	31" (787 mm)	29 1/2" (749 mm)	2" (51 mm)	22,500 / 33,750	22
	PG3660BA36	647 (293.0 kg)	36" (914 mm)	34 1/2" (876 mm)	2" (51 mm)	22,500 / 33,750	22
Open Bottom w/ 2 Mouseholes	PG3660BB19	379 (171.9 kg)	19 1/2" (495.0 mm)	18" (457 mm)	2" (51 mm)	22,500 / 33,750	22
	PG3660BB24	397 (180.0 kg)	24" (610 mm)	22 1/2" (572 mm)	2" (51 mm)	22,500 / 33,750	22
	PG3660BB31	479 (217.3 kg)	31" (787 mm)	29 1/2" (749 mm)	2" (51 mm)	22,500 / 33,750	22
	PG3660BB36	647 (293.0 kg)	36" (914 mm)	34 1/2" (876 mm)	2" (51 mm)	22,500 / 33,750	22
Solid Bottom	PG3660DA19	479 (217.0 kg)	20" (508 mm)	18 1/2" (470 mm)	N/A	22,500 / 33,750	22
	PG3660DA24	495 (224.5 kg)	24 1/2" (622 mm)	23" (584 mm)	N/A	22,500 / 33,750	22
	PG3660DA31	590 (268.0 kg)	31 1/2" (800.1 mm)	30" (762 mm)	N/A	22,500 / 33,750	22
	PG3660DA36	738 (334.8 kg)	36 1/2" (927 mm)	35" (889 mm)	N/A	22,500 / 33,750	22

Extensions (For use on top of box only)

DESCRIPTION	PART NO.	WEIGHT #	DIMENSION A	DIMENSION B	DIMENSION C	DESIGN/TEST LOAD #	ANSI TIER*
Open Bottom	PG3660EA12	200 (90.7 kg)	11 1/2"	10"	2"	22,500 / 33,750	22

Dimensions & weights in parentheses are metric equivalent.

* Loadings comply with ANSI/SCTE 77 (see page 9).