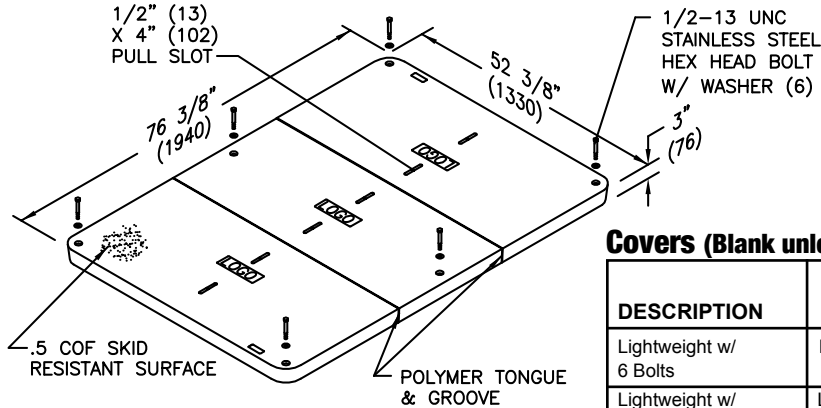


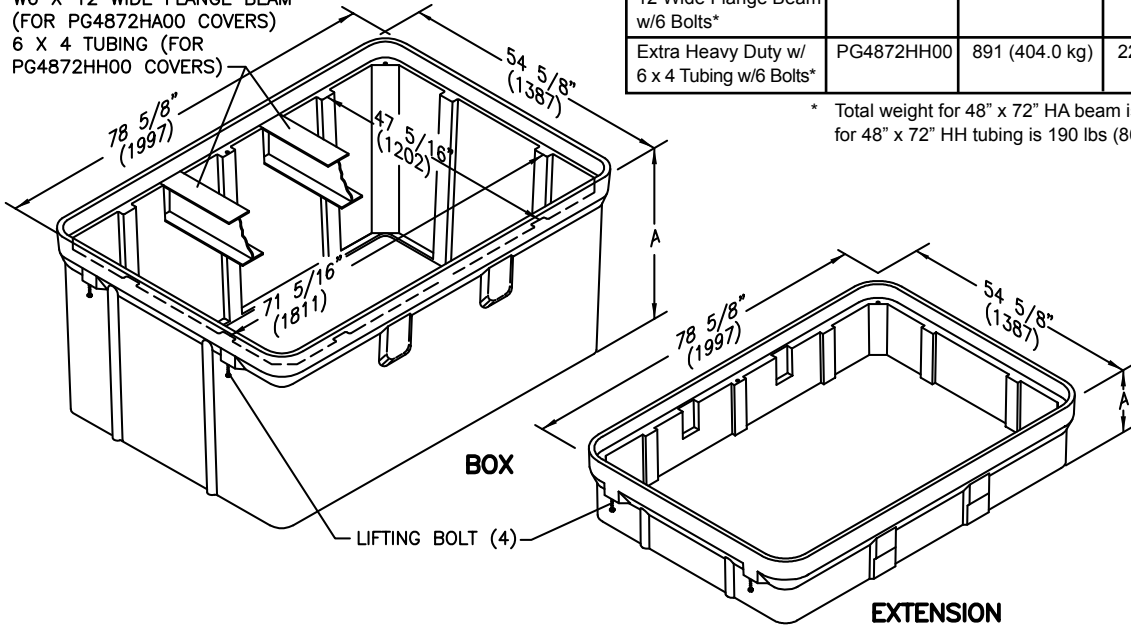
## SPECIFICATIONS/DATA

## 48" x 72" PG Style (Stackable) Assembly



### COVER

W6 X 12 WIDE FLANGE BEAM  
(FOR PG4872HA00 COVERS)  
6 X 4 TUBING (FOR  
PG4872HH00 COVERS)



### BOX

### EXTENSION

### Covers (Blank unless logo is specified)

DESCRIPTION	PART NO.	WEIGHT #	DESIGN/TEST LOAD #	ANSI TIER*
Lightweight w/ 6 Bolts	LG4872CA00	447 (203.0 kg)	5,000 / 7,500	5
Lightweight w/ No Bolts	LG4872WA00	447 (203.0 kg)	5,000 / 7,500	5
Heavy Duty w/W6 x 12 Wide Flange Beam w/6 Bolts*	PG4872HA00	573 (260.0 kg)	15,000 / 22,500	15
Extra Heavy Duty w/ 6 x 4 Tubing w/6 Bolts*	PG4872HH00	891 (404.0 kg)	22,500 / 33,750	22

\* Total weight for 48" x 72" HA beam is 102 lbs (46 kg). Total weight for 48" x 72" HH tubing is 190 lbs (86 kg).

ENCLOSURE DRAWINGS

### Boxes (Stackable with self-aligning, replaceable EZ-Nut)

DESCRIPTION	PART NO.	WEIGHT #	DIMENSION A	DIMENSION B	DESIGN/TEST LOAD #	ANSI TIER*
Open Bottom	PG4872BA36	810 (367.0 kg)	37 1/2" (953 mm)	33" (838 mm)	22,500 / 33,750	22
	PG4872BA48	1050 (476.0 kg)	49 1/2" (1257 mm)	45" (1143 mm)	22,500 / 33,750	22
Solid Bottom	PG4872DA36	1065 (483.0 kg)	36 1/2" (927 mm)	33" (838 mm)	22,500 / 33,750	22
	PG4872DA48	1245 (565.0 kg)	48 1/2" (1232 mm)	45" (1143 mm)	22,500 / 33,750	22

### Extension (Stackable with self-aligning, replaceable EZ-Nut; for use on top of box only)

Top extensions are available to give extra depth.

DESCRIPTION	PART NO.	WEIGHT #	DIMENSION A	DIMENSION B	DESIGN/TEST LOAD #	ANSI TIER*
Open Bottom, Beam Pocket, No Beam Provided	PG4872EA12	359 (162.8 kg)	15" (381 mm)	12" (305 mm)	22,500 / 33,750	22

Dimensions & weights in parentheses are metric equivalent.

\* Loadings comply with ANSI/SCTE 77 (see page 9).