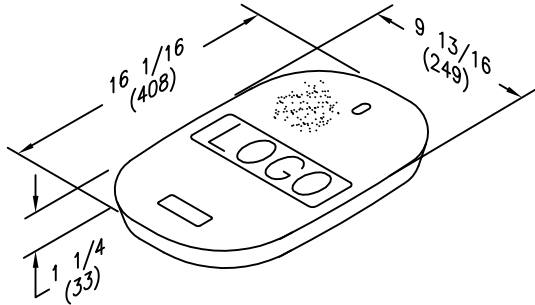
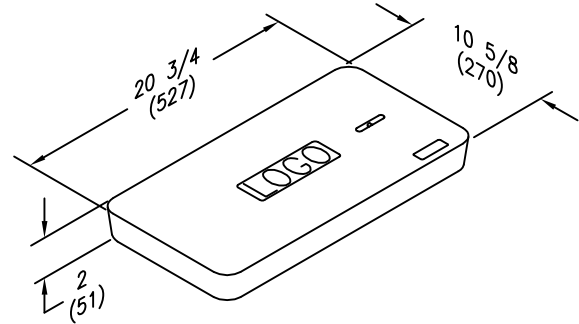


SPECIFICATIONS/DATA

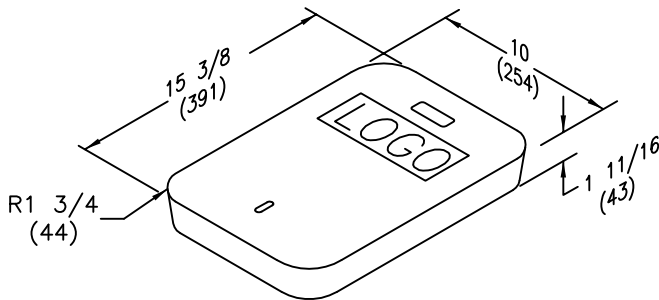
Replacement Covers



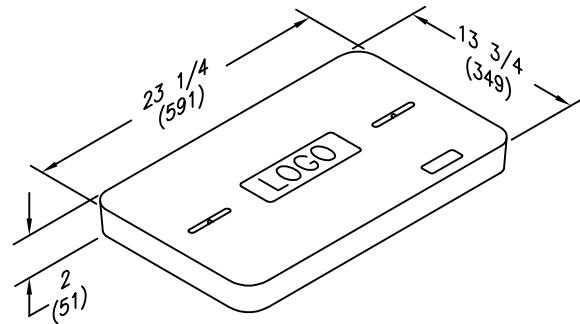
PG0915WAS0
13# (5.9 kg)



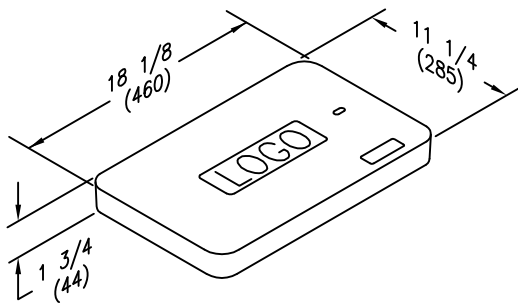
PG1121WA00
33# (15.0 kg)



PG1015WAS0
20# (9.0 kg)



PG1324WA00
32# (14.5 kg)



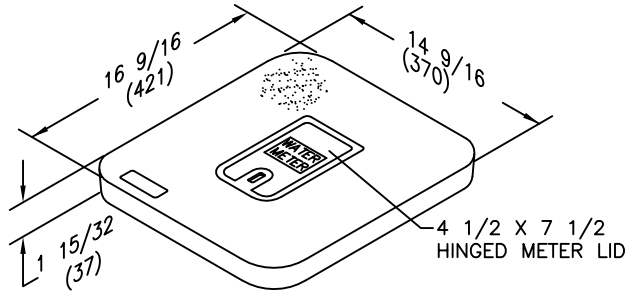
PG1118WAS0
27# (12.3 kg)

All covers have a .5 COF skid resistant surface.
Dimensions & weights in parentheses are metric equivalent.

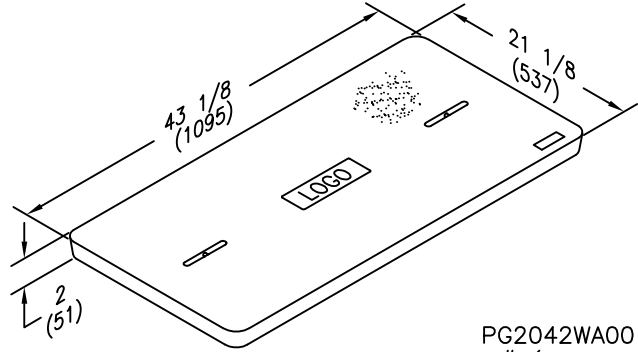
COVER DRAWINGS

SPECIFICATIONS/DATA

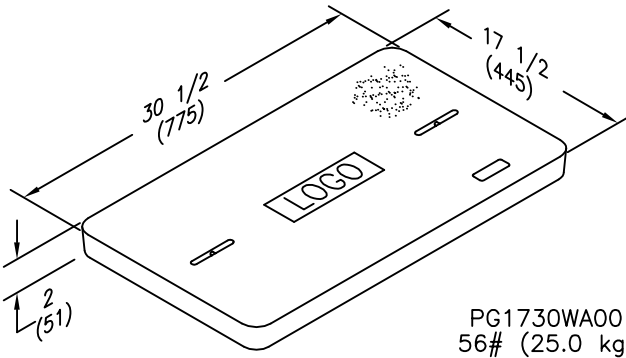
Replacement Covers



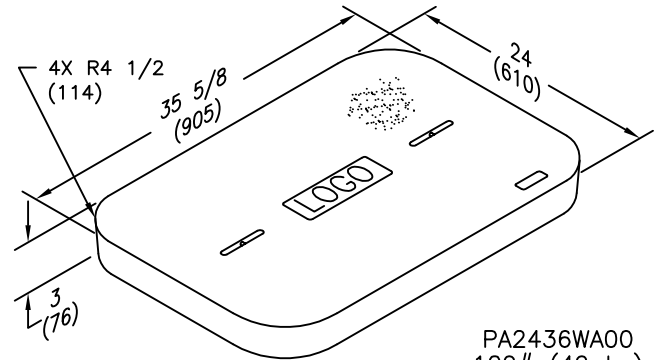
PG1517WAR2
28# (12.7 kg)



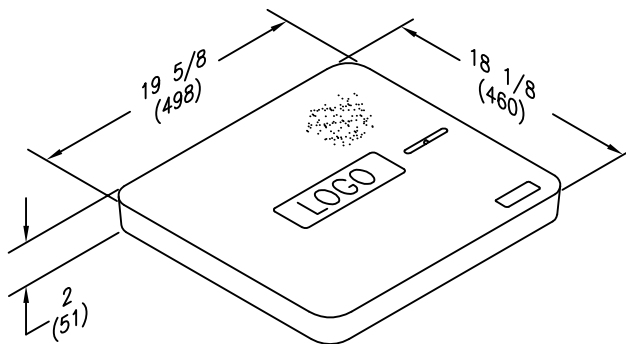
PG2042WA00
90# (40.8 kg)



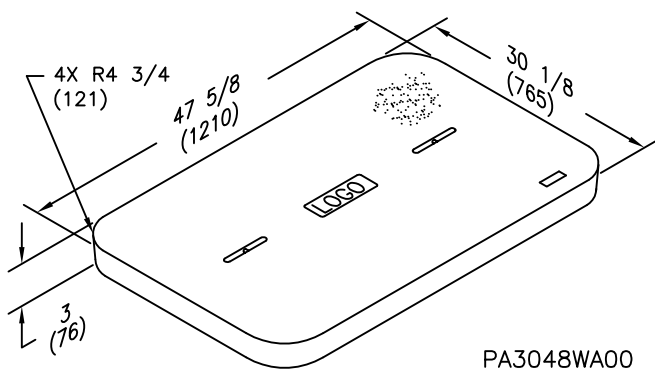
PG1730WA00
56# (25.0 kg)



PA2436WA00
109# (49 kg)



PG1819WA00
34# (15.4 kg)



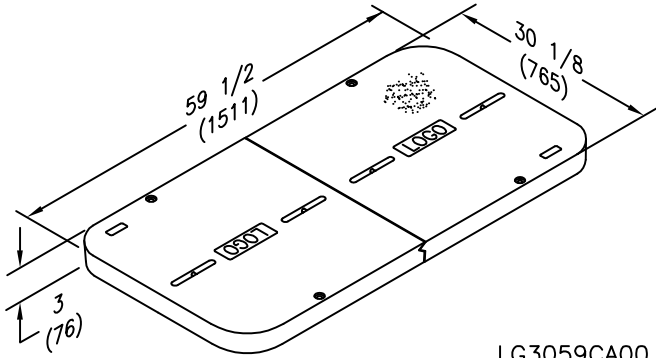
PA3048WA00
177# (80 kg)

COVER DRAWINGS

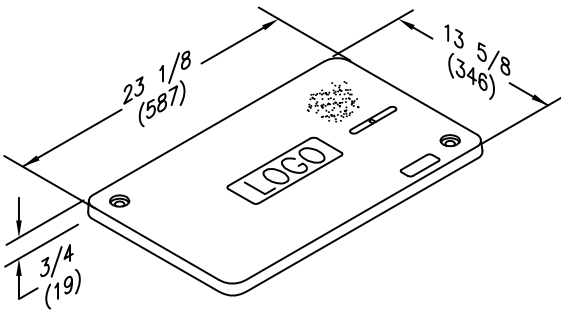
All covers have a .5 COF skid resistant surface.
Dimensions & weights in parentheses are metric equivalent.

SPECIFICATIONS/DATA

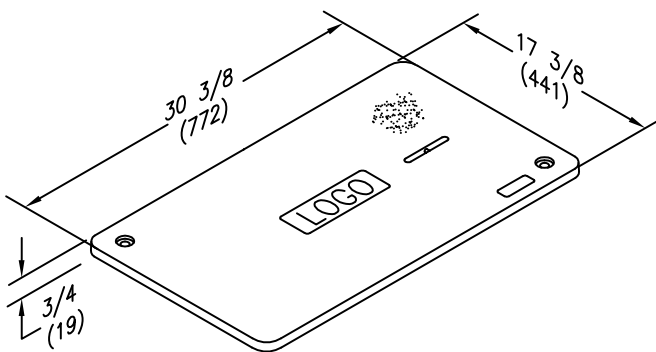
Replacement Covers



LG3059CA00
128# (58 kg)



PX1324CA00
18# (8.2 kg)



PX1730CA00
34# (15.4 kg)